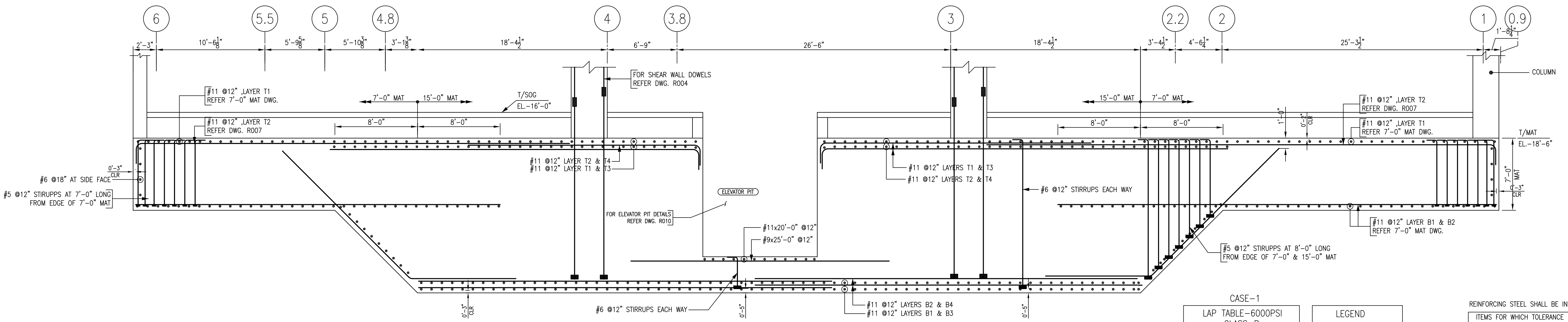
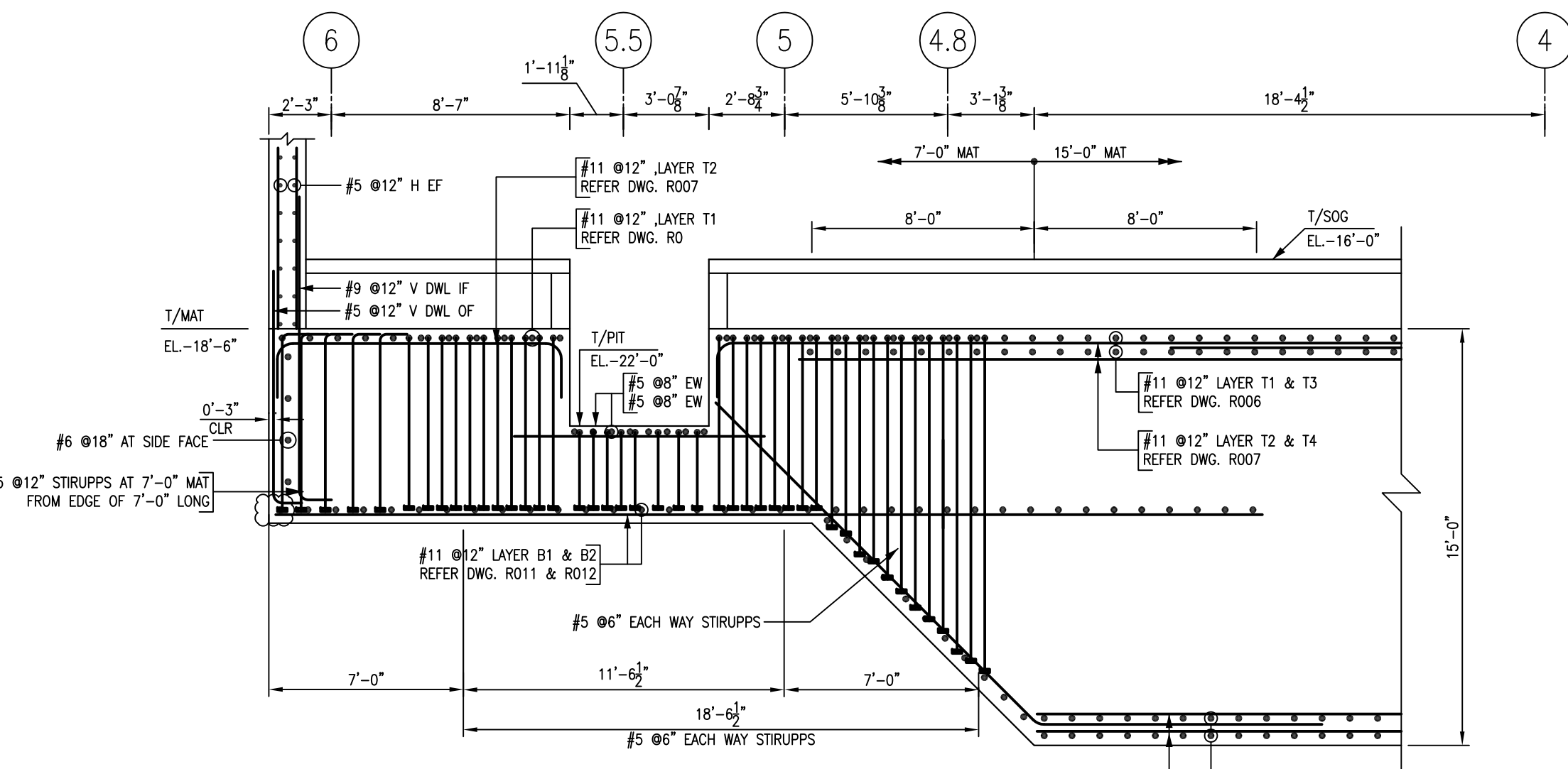


SECTION-3  
REF DWG: 2/S4.05.1, 2/S4.00, 3&4/S4.07 (08/30/19)

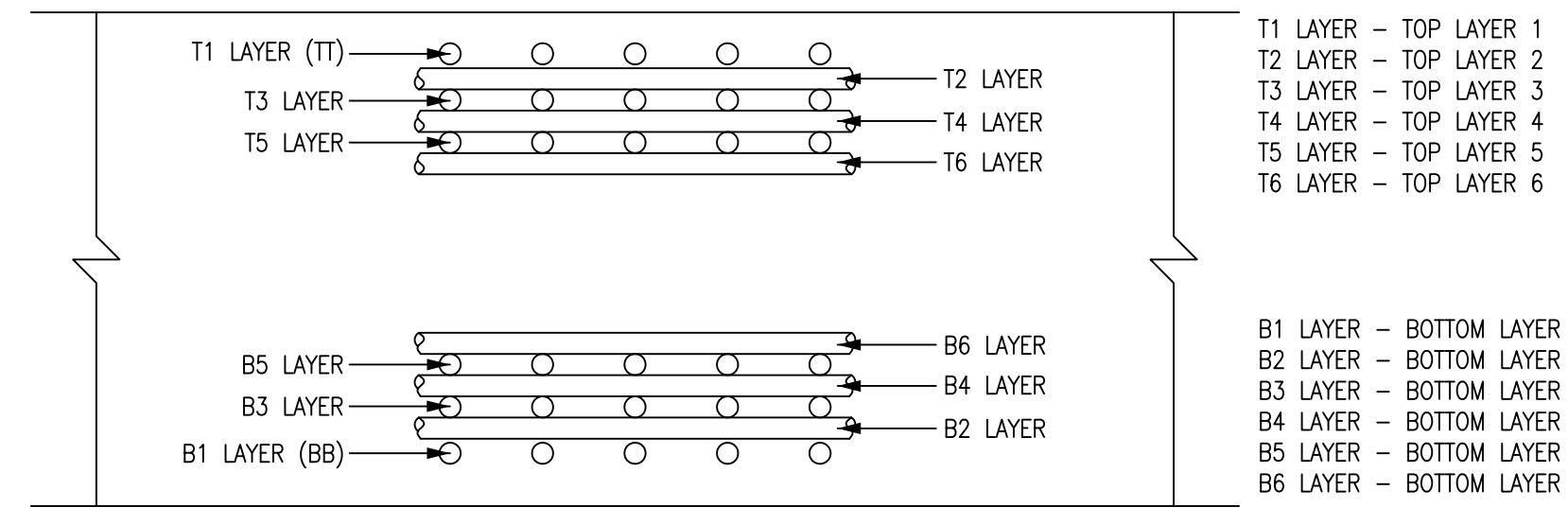


SECTION-4  
REF DWG: 2/S4.05.1, 2/S4.00, 3&4/S4.07 (08/30/19)



SECTION-5  
REF DWG: 2/S4.05.1, 2/S4.00, 3&4/S4.07 (08/30/19)

ALL #11 BARS ASTM A615 GR 75 PER S0.00.  
BARS #10 AND SMALLER A615 GR 60 PER S0.00.



LOOKING EAST  
REINFORCEMENT LAYER ARRANGEMENT  
REF DWG: 4/S4.07 (03/01/19)

CASE-1

SIZE	TOP	OTHERS
#3	1'-8"	1'-4"
#4	2'-2"	1'-8"
#5	2'-9"	2'-1"
#6	3'-3"	2'-6"
#7	4'-9"	3'-8"
#8	5'-5"	4'-2"
#9	6'-2"	4'-9"
#10	6'-11"	5'-4"
#11 (GR75)	9'-7"	7'-5"

LEGEND

- T - TOP
- B - BOTTOM
- V - VERTICAL
- EW - EACH WAY
- EF - EACH FACE
- DWLS - DWELS
- CONT - CONTINUOUS
- FTG - FOOTING
- CLR - CLEAR
- TYP - TYPICAL
- REF - REFER
- DWG - DRAWING
- EL - ELEVATION

NOTES

FOR MAT BOTTOM E/W DIRECTION REFER DWG.NO : R001  
 FOR MAT BOTTOM N/S DIRECTION REFER DWG.NO : R002  
 FOR MAT BOTTOM ADDITIONAL REFER DWG.NO : R003  
 FOR MAT DOWEL PLAN DETAILS REFER DWG.NO : R004  
 FOR MAT TOP ADDITIONAL REFER DWG.NO : R005  
 FOR MAT TOP N/S DIRECTION REFER DWG.NO : R006  
 FOR MAT TOP E/W DIRECTION REFER DWG.NO : R007  
 FOR MAT SECTION DETAILS REFER DWG.NO : R008 & R009  
 FOR SUMP PIT & ELEVATOR PIT REFER DWG.NO : R010

REINFORCING STEEL SHALL BE INSTALLED TO WITHIN THE FOLLOWING TOLERANCES\*:

ITEMS FOR WHICH TOLERANCE IS BEING MEASURED:	PERMITTED TOLERANCE
CONCRETE COVER FOR SLAB TOP & BOTTOM BARS	±1/4"
COVER FOR OTHER REINFORCING STEEL	±3/8"
SPECIFIED SPACING BETWEEN PARALLEL BARS IN SLABS BUT NOT TO EXCEED 1"	± (SPECIFIED SPACING/4")
HORIZONTAL DEVIATION FROM SPECIFIED LOCATION, U.N.O.	±3"
SPACING AND LOCATION OF BEAM STIRRUPS	± (BEAM DEPTH IN INCHES)/12x1"
SPACING AND LOCATION OF COLUMN TIES	± (MIN. COL. DIM IN INCHES)/12x1"
LOCATION OF ENDS OF BARS PERPENDICULAR TO SLAB EDGES	±1"
HORIZONTAL LOCATION OF PRESTRESSED TENDONS	±1/2" FOR MEMBER DEPTH < 24"; ±1" FOR MEMBER DEPTH > 24"
VERTICAL LOCATION (DRAPE) OF PRESTRESSED TENDONS	±1/4" FOR MEMBER DEPTH < 8"; ±3/8" FOR MEMBER DEPTH > 8", < 24"; ±1/2" FOR MEMBER DEPTH > 24"

\*INDICATES TOLERANCES ARE PER ACI 117. \* STANDARD SPECIFICATION FOR TOLERANCES FOR CONCRETE CONSTRUCTION MATERIALS

NOTICE

Shortages, improper fabrication or claims for any other reason must be reported to this company and this company reserves the right to field inspect prior to replacement or reconditioning of nonconforming material, and will not honor charges for work done in the field without specific authorization from this company.