

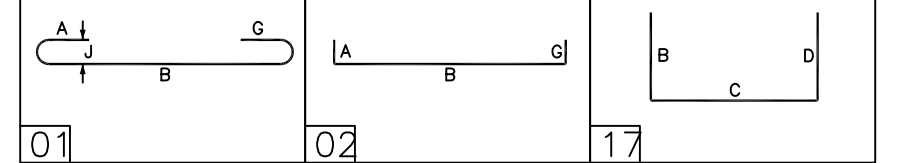
LAP TABLE-4000PSI
NORMAL WEIGHT
CLASS-B

SIZE	TOP	OTHERS
#3	2'-0"	1'-5"
#4	2'-8"	2'-1"
#5	3'-4"	2'-7"
#6	4'-0"	3'-1"
#7	5'-10"	4'-6"
#8	6'-8"	5'-2"
#9	7'-7"	5'-10"
#10	8'-6"	6'-6"
#11	9'-5"	7'-3"

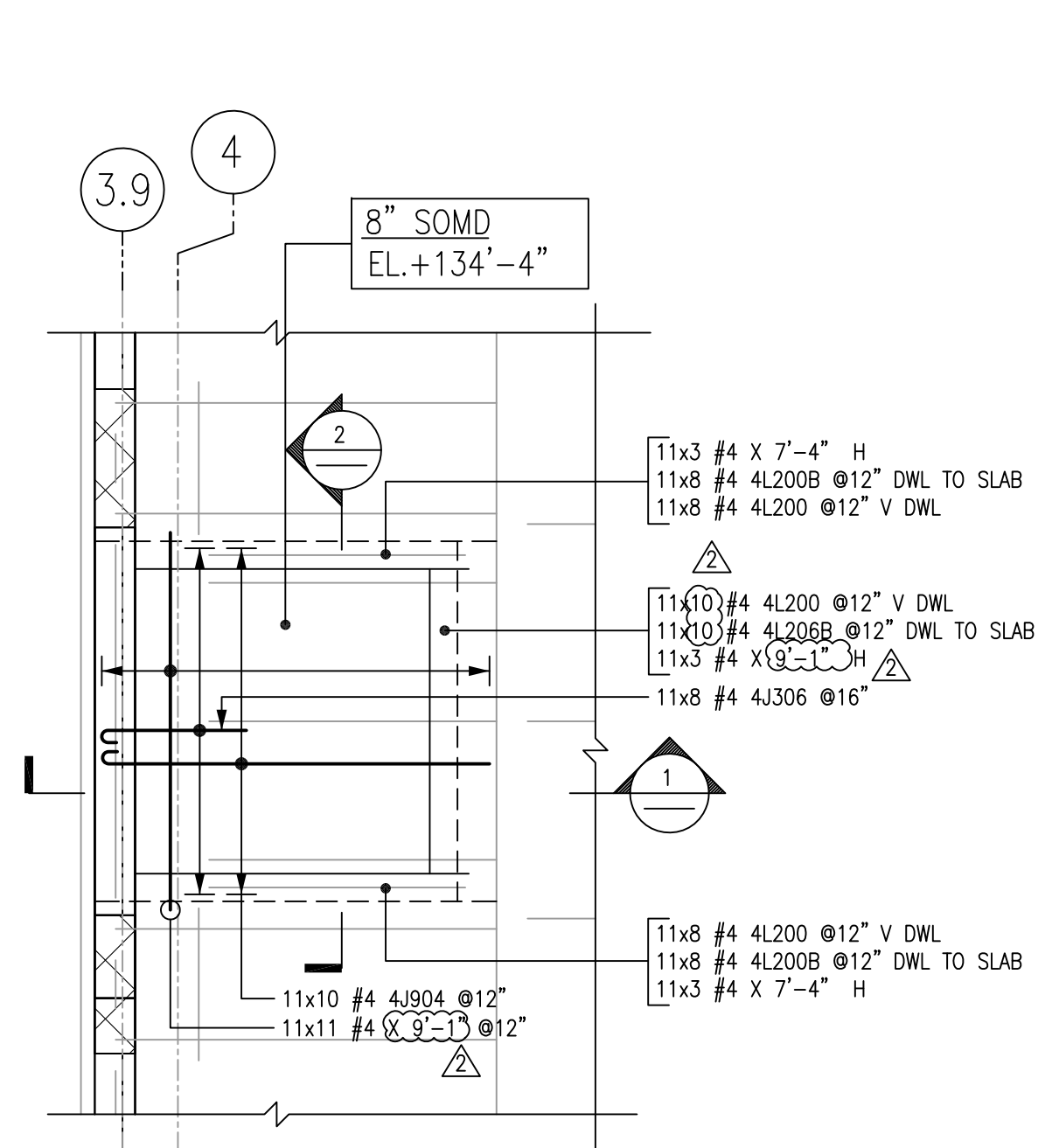
REF DWG:s-001.02 (10/09/20)

Release Code: R149 BENDING DETAILS.

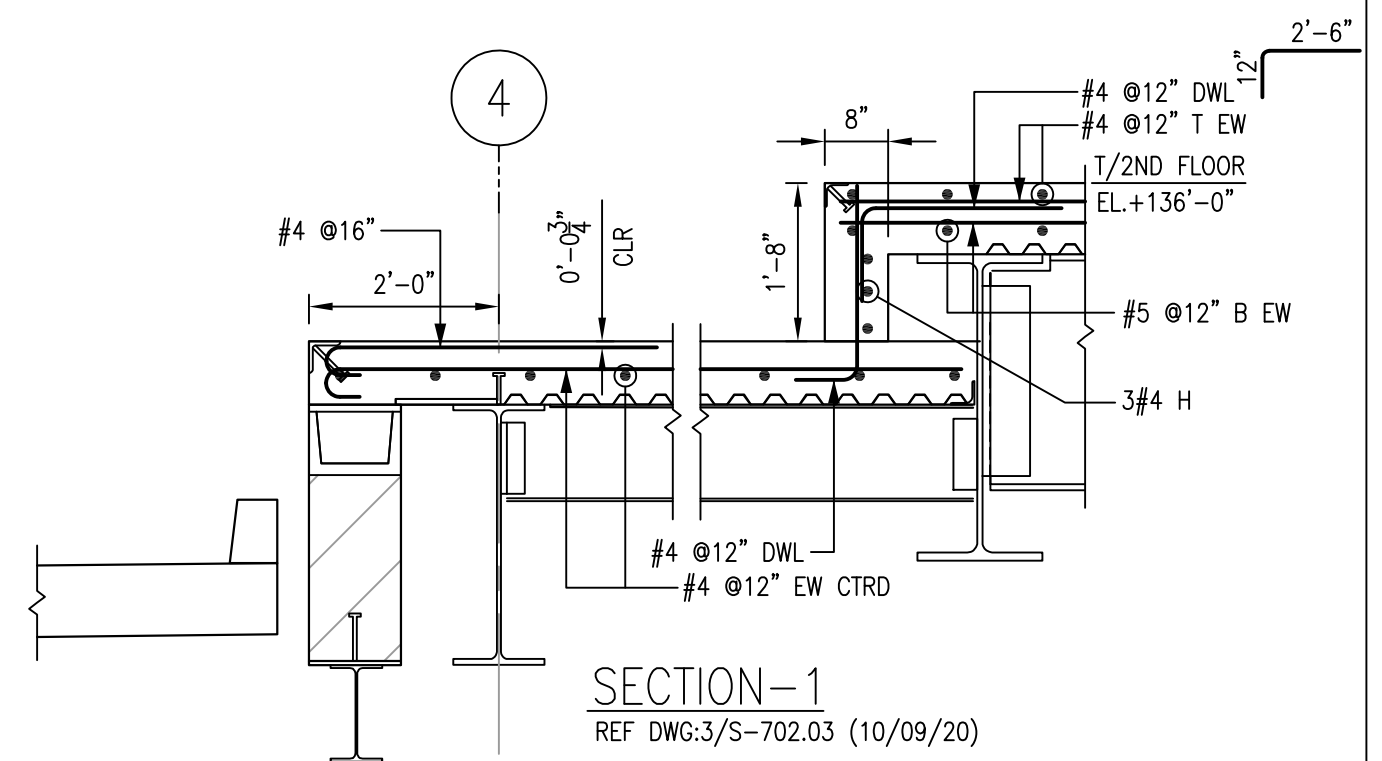
Bar Mark	Qty	Size	Total Length	Type	X'	Y'	Z'	W'	V'	U'	T'
4L200	286	#4	28 K 12		08'	20 K 1'					
4L200B	176	#4	30 K 12		08'	10'	20'				
4J904	100	#4	9'10"	1	06'	94"			04'		
4L200B	100	#4	36' 11		06'	10'	26'				
4J306	88	#4	4'0"	1	06'	36'			04'		



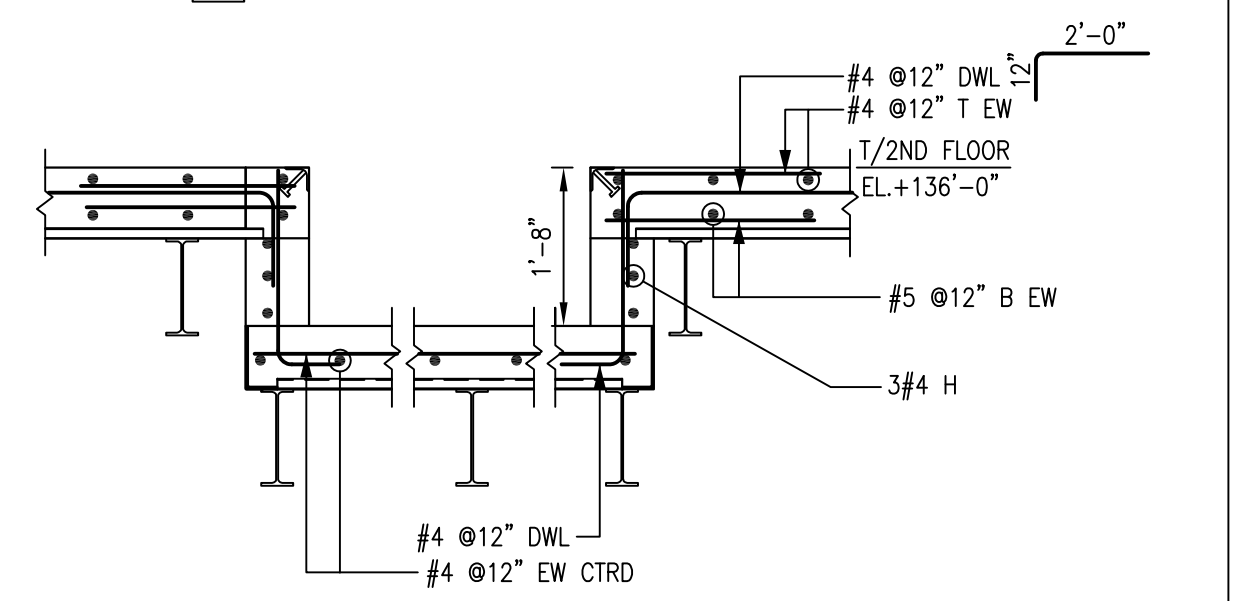
NOTES
FOR 2ND FLOOR BOTTOM REFER DWG.NO : R149 TO R152
FOR 2ND FLOOR TOP REFER DWG.NO : R153 TO R156
A/E VERIFY ALL CLOUDED ITEMS
A/E PROVIDE POUR SEQUENCE IF ANY



DETAIL-A (TYP @11 PLACES)
REF DWG:2/S-202.03 (10/09/20)

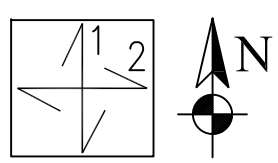


SECTION-1
REF DWG:3/S-702.03 (10/09/20)



SECTION-2
REF DWG:10/S-702.03 (10/09/20)

2ND FLOOR SOMD BOTTOM NORTH/SOUTH-PART A
REF DWG: S-202.03 (04/16/21), RFI #366 (01/25/21)



MATCHLINE A-A