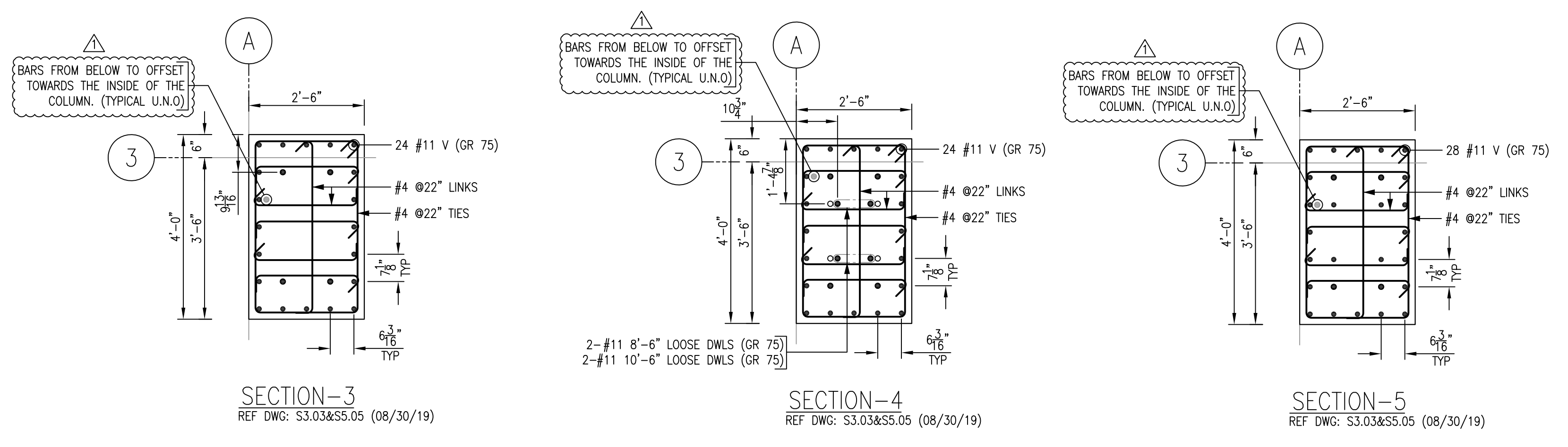
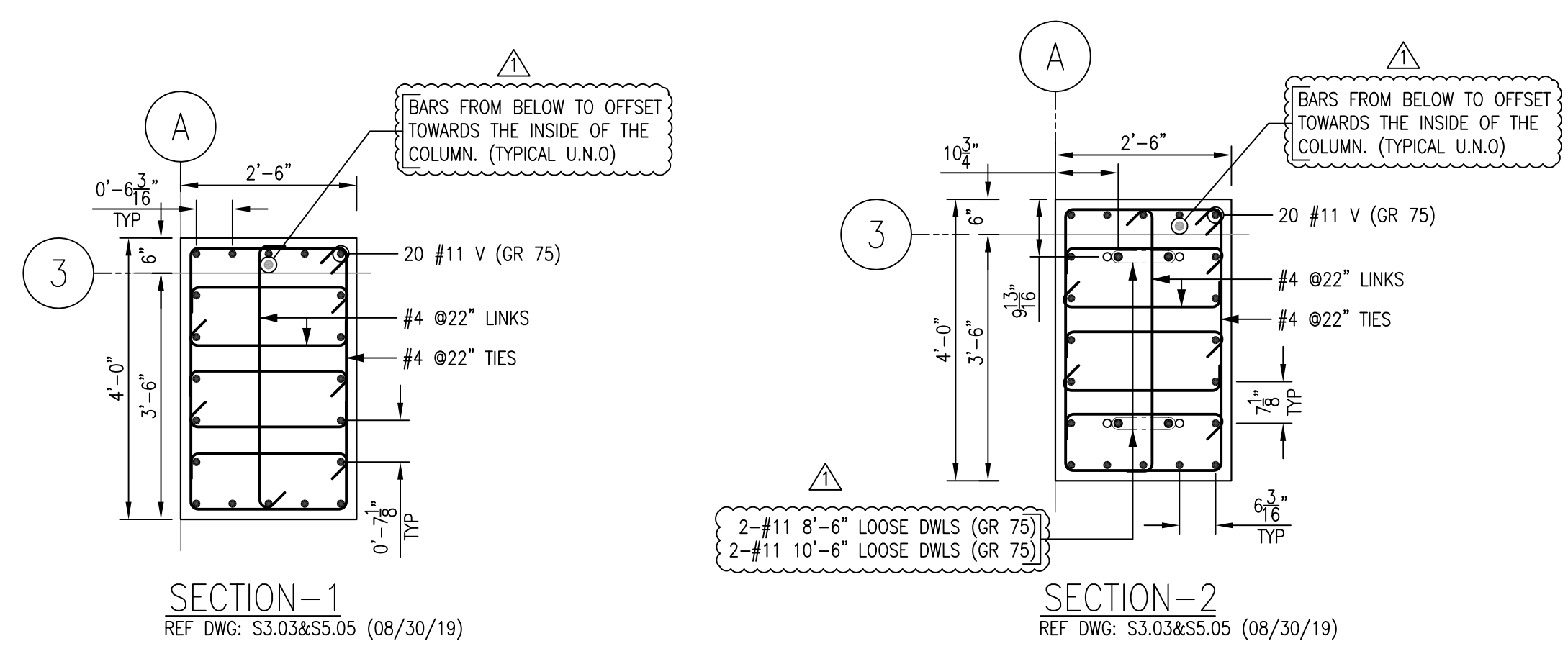


T/LEVEL 20	ELEVATION	214'-0"
	SIZE	30" X 48"
	VERTICAL	28 #11 X 10'-2" V (GR 75) STAGGERED WITH BOTH ENDS THREADED 28 #11 LENTON COUPLERS TOP END
	TIES	2x2 #4 4L05 U BARS 5x2 #4 4L02 LINKS 2 #4 4L03 LINKS WITHIN LVL 20 SLAB 7 #4 4L01 @22" TIES 5x7 #4 4L02 @22" LINKS 7 #4 4L03 @22" LINKS
T/LEVEL 19	ELEVATION	203'-10"
	SIZE	30" X 48"
	VERTICAL	24 #11 X 10'-2" V (GR 75) STAGGERED WITH BOTH END THREADED 2 #11 X 8'-6" LOOSE DWLS (GR 75) 2 #11 X 10'-6" LOOSE DWLS (GR 75) STAGGERED WITH ONE END THREADED 28 #11 LENTON COUPLERS TOP END
	TIES	2x2 #4 4L05 U BARS 5x2 #4 4L02 LINKS 2 #4 4L03 LINKS WITHIN LVL 19 SLAB 7 #4 4L01 @22" TIES 5x7 #4 4L02 @22" LINKS 7 #4 4L03 @22" LINKS
T/LEVEL 18	ELEVATION	193'-8"
	SIZE	30" X 48"
	VERTICAL	24 #11 X 10'-2" V (GR 75) STAGGERED WITH BOTH END THREADED 24 #11 LENTON COUPLERS TOP END
	TIES	2x2 #4 4L05 U BARS 5x2 #4 4L02 LINKS 2 #4 4L03 LINKS WITHIN LVL 18 SLAB 7 #4 4L01 @22" TIES 5x7 #4 4L02 @22" LINKS 7 #4 4L03 @22" LINKS
T/LEVEL 17	ELEVATION	183'-6"
	SIZE	30" X 48"
	VERTICAL	10 #11 X 12'-2" V (GR 75) 10 #11 X 14'-2" V (GR 75) STAGGERED WITH ONE END THREADED 2 #11 X 8'-6" LOOSE DWLS (GR 75) 2 #11 X 10'-6" LOOSE DWLS (GR 75) STAGGERED WITH ONE END THREADED 24 #11 LENTON COUPLERS TOP END
	TIES	2x2 #4 4L05 U BARS 5x2 #4 4L02 LINKS 2 #4 4L03 LINKS WITHIN LVL 17 SLAB 10 #4 4L01 @22" TIES 5x10 #4 4L02 @22" LINKS 10 #4 4L03 @22" LINKS 4 @3" TOP BALANCE @22"
T/LEVEL 16	ELEVATION	173'-4"
	SIZE	30" X 48"
	VERTICAL	20 #11 11L04 V (GR 75)
	TIES	2x2 #4 4L05 U BARS 5x2 #4 4L02 LINKS 2 #4 4L03 LINKS WITHIN LVL 16 SLAB 10 #4 4L01 @22" TIES 5x10 #4 4L02 @22" LINKS 10 #4 4L03 @22" LINKS 4 @3" TOP BALANCE @22"
T/LEVEL 15	ELEVATION	163'-2"
	SIZE	30" X 48"
	COLUMN LOCATION	A-3 REF DWG. R152



LENTON COUPLERS & THREADED BARS (GR75)

SIZE	GRADE	THREADED BAR QUANTITY					SHAPE	THREAD AT	COUPLER QUANTITY					TOTAL LENTON COUPLER QUANTITY
		SUPP/16TH	SUPP/17TH	SUPP/18TH	SUPP/19TH	SUPP/20TH			SUPP/16TH	SUPP/17TH	SUPP/18TH	SUPP/19TH	SUPP/20TH	
#11	GR 75	10					LENTON COUPLER 12'-2"	ONE END	10					
#11	GR 75	10					LENTON COUPLER 14'-2"	ONE END	10					
#11	GR 75	2		2			LENTON COUPLER 8'-6"	ONE END	2		2		104	
#11	GR 75	2		2			LENTON COUPLER 10'-6"	ONE END	2		2			
#11	GR 75	24	24	28			LENTON COUPLER 10'-2"	TWO END	24	24	28			

REINFORCING STEEL SHALL BE DETAILED AND INSTALLED TO HAVE THE FOLLOWING CONCRETE CLEAR COVER DIMENSIONS, UNLESS NOTED OTHERWISE:

REINF. STEEL IN CONCRETE CAST AGAINST SOIL	3"
REINF. STEEL IN CONCRETE EXPOSED TO SOIL OR WEATHER	1 1/2"
#5 BARS AND SMALLER	2"
#6 BARS AND LARGER	3/4"
SLAB AND WALL REINF. NOT EXPOSED TO SOIL OR WEATHER	3/4"
BEAM STIRRUPS, COLUMN TIES, & HORIZ. REINF. IN SHEAR WALLS	1 1/2"
TOP REINF. IN PARKING LEVEL SLABS	1 1/2"
BOTTOM REINF. IN PARKING LEVEL SLABS	1"
TOP REINFORCING IN SLAB 20" SLAB (S2.01)	2"

REF: NOTE H.1.b/SO.01 (08/30/19)

REINFORCING STEEL SHALL BE INSTALLED TO WITHIN THE FOLLOWING TOLERANCES*:

ITEMS FOR WHICH TOLERANCE IS BEING MEASURED:	PERMITTED TOLERANCE
CONCRETE COVER FOR SLAB TOP & BOTTOM BARS	±1/4"
COVER FOR OTHER REINFORCING STEEL	±3/8"
SPECIFIED SPACING BETWEEN PARALLEL BARS IN SLABS	± (SPECIFIED SPACING/4") BUT NOT TO EXCEED 1"
HORIZONTAL DEVIATION FROM SPECIFIED LOCATION, U.N.O.	±3"
SPACING AND LOCATION OF BEAM STIRRUPS	± (BEAM DEPTH IN INCHES/12)x1"
SPACING AND LOCATION OF COLUMN TIES	± (MIN. COL. DIM IN INCHES/12)x1"
LOCATION OF ENDS OF BARS PERPENDICULAR TO SLAB EDGES	±1"
HORIZONTAL LOCATION OF PRESTRESSED TENDONS	±1/2" FOR MEMBER DEPTH < 24"; ±1" FOR MEMBER DEPTH > 24"
VERTICAL LOCATION (DRAPE) OF PRESTRESSED TENDONS	±1/4" FOR MEMBER DEPTH < 8"; ±3/8" FOR MEMBER DEPTH > 8", < 24"; ±1/2" FOR MEMBER DEPTH > 24"

*INDICATES TOLERANCES ARE PER ACI 117, " STANDARD SPECIFICATION FOR TOLERANCES FOR CONCRETE CONSTRUCTION MATERIALS

LAP TABLE

SIZE	COMPRESSION
#8 (GR60)	2'-6"
#10 (GR60)	3'-2"
#11 (GR75)	5'-1"

Release Code: R168 BENDING DETAILS.

Bar Mark	Qty	Size	Total length	Type	'A'	'B'	'C'	'D'	'E'	'F'	'G'	'H'	'J'	'K'	'O'	'W'
4L01	4	#4	12'3"	T1	0'4 1/2"	2'3"	3'9"	2'3"	3'9"							
4L02	255	#4	3'0"	T3	0'4 1/2"	2'3"										
4L03	5	#4	4'1"	T9	0'4 1/2"	2'3"										
4L05	20	#4	9'9"	T1	3'9"	2'3"	3'9"									
TL04	20	#11	15'0"	T1	5'0"	17'4"	8'4 1/2"					0'3 1/2"		17' 1/2"	15'0"	

CASE-1

LAP TABLE-12000PSI CLASS-B

SIZE	TOP	OTHERS
#4	1'-9"	1'-4"
#5	2'-2"	1'-8"
#6	2'-7"	2'-0"
#7	3'-9"	2'-11"
#8	4'-3"	3'-3"
#9	4'-10"	3'-8"
#10	5'-4"	4'-1"
#11 (GR75)	7'-4"	5'-8"

H & K VALUE FOR TYPE 31A BARS (STRAIGHT COLUMNS)

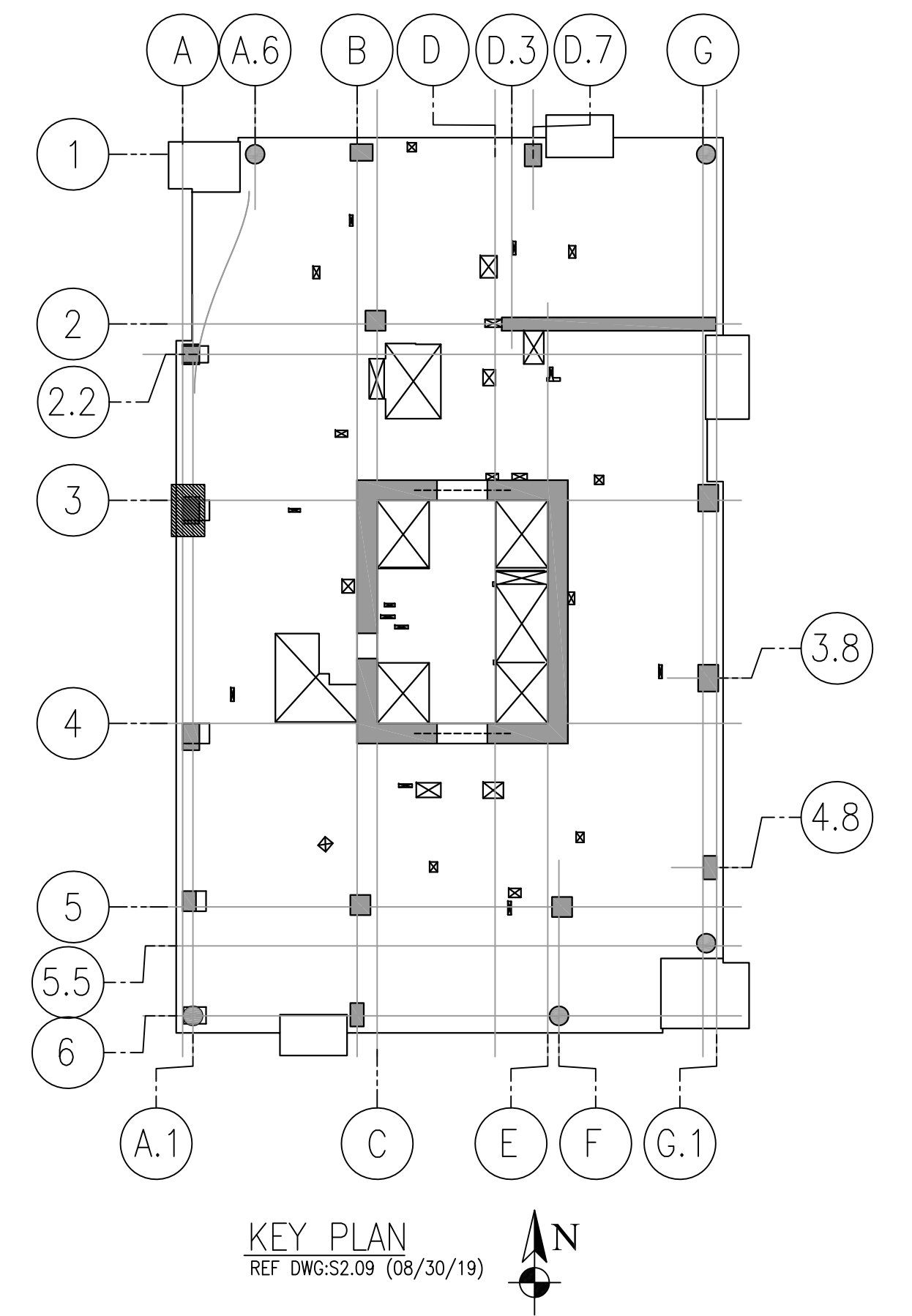
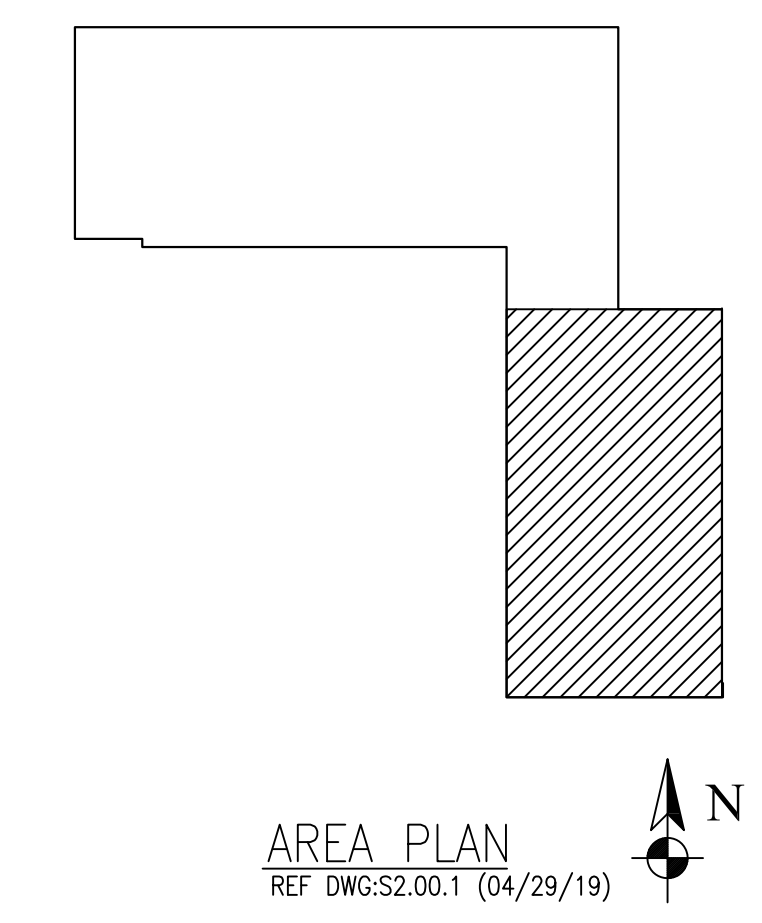
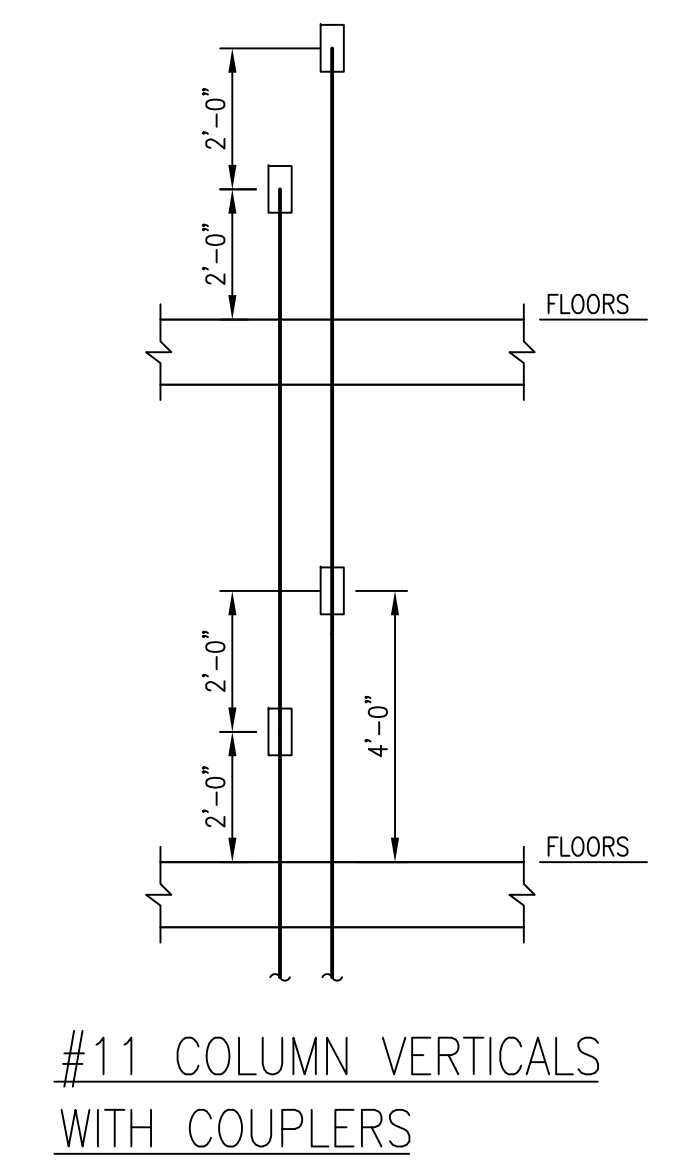
SIZE	H	K
#8	2.5"	1'-3"
#9	2.75"	1'-4 1/2"
#10	3"	1'-6"
#11	3.25"	1'-7 1/2"

DONUT LEGEND

- - CONT. NEXT LEVEL OR LOOSE DWELS
- - VERTICAL BARS ABOVE COLUMN
- ⊗ - TERMINATING BARS

NOTES
FOR TYPICAL COLUMN DETAILS REFER DWG.NO : R167
FOR REMAINING COLUMNS REFER DWG.NO : R167 TO R174

ALL #11 BARS ASTM A615 GR 75 PER S0.00.
BARS #10 AND SMALLER A615 GR 60 PER S0.00.



NOTICE

Shortages, improper fabrication or claims for any other reason must be reported to this company and this company reserves the right to field inspect prior to replacement or reconditioning of nonconforming material, and will not honor charges for work done in the field without specific authorization from this company.